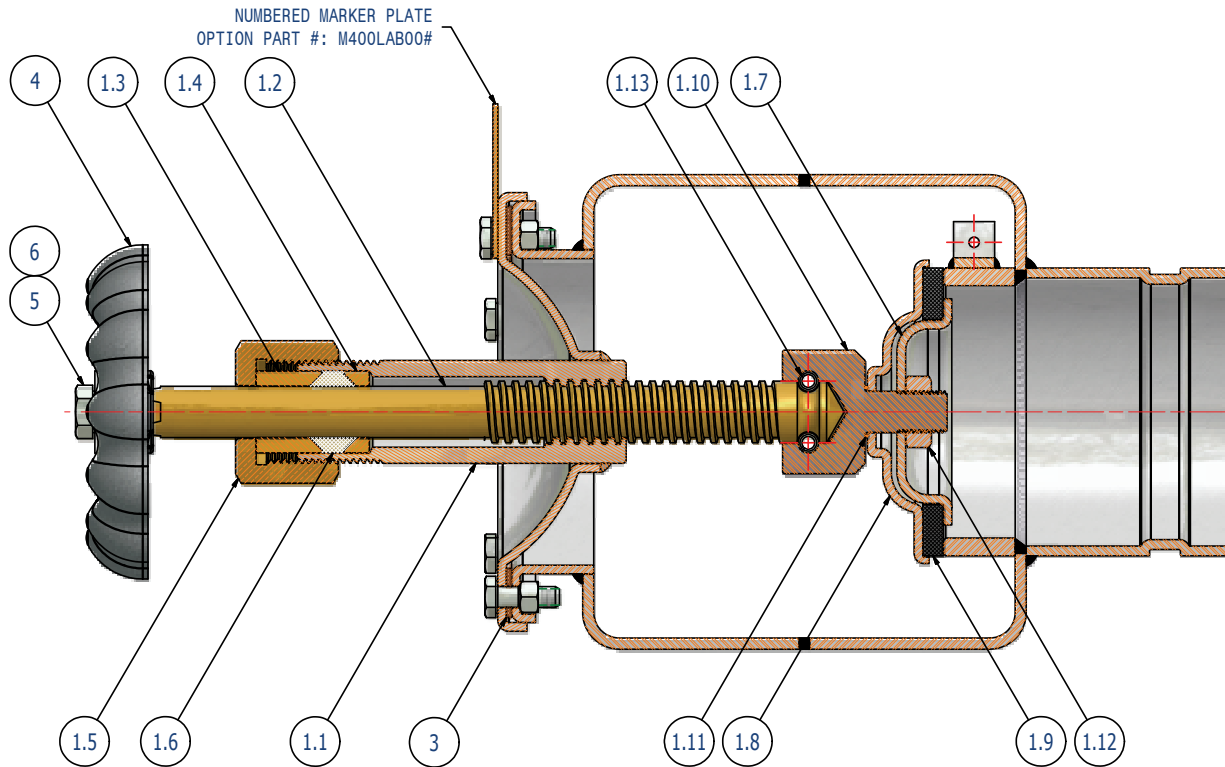


M000CMA032

PARTS LIST



ITEM #	DESCRIPTION	UNIQUE PART #	QTY
1	FIXED DISC - C/W CAP & STEM HOUSING, 3" MANIFOLD [ASS'Y]	M000CMA001	1
1.1	CAP & STEM HOUSING, 3" MANIFOLD [STEEL]	M200CMA027	1
1.2	STEM, 3" & 4" MANIFOLD [BRASS]	M400COM003	1
1.3	PACKING GLAND, OUTER - 3" & 4" MANIFOLD [BRASS]	M400COM040	1
1.4	PACKING GLAND, INNER - 3" & 4" MANIFOLD [BRASS]	M400COM041	1
1.5	PACKING NUT, 3" & 4" MANIFOLD [BRASS]	M400COM004	1
1.6	CORD, 7/32" X 7" [TEFLON]	M803CRD007	1
1.7	DISC HOLDER, 3" MANIFOLD DISC [STEEL]	M201COM009	1
1.8	DISC RETAINER, 3" MANIFOLD DISC [STEEL]	M201COM010	1
1.9	3" VITON DISC, 3.50 O.D. X 2.25 I.D. X 0.25 (BLACK)	M850SEA001	1
1.10	RETAINER BOLT, POSITIVE 3" & 4" MANIFOLD [STEEL]	M201COM039	1
1.11	SEAL, O-RING - 3/8" ID X 1/2" OD [BUNA-N]	S802RS0006	1
1.12	NUT, HEX - 1/2"-20UNF PREVAILING LOCK (UNI-TORQUE, STOVER) [PLATED]	F-NLSFTZ	1
1.13	PIN, SLOTTED SPRING - 1/4" X 1 1/4" [PLAIN FINISH]	F-PSP020	2
3	CAP GASKET, 3" MANIFOLD [NEOPRENE CORK]	M810SEA003	1
4	WHEEL HANDLE, 3" MANIFOLD [ALUMINUM]	M600COM011	1
5	WASHER, 3/8" PLAIN (USS) - 7/16" ID X 1" OD TYPE A [PLATED]	F-WDURZ-PCS	1
6	SCREW, CAP HEX HEAD - 3/8"-16UNC X 1" [PLATED]	F-SCR016Z	1